

A Brighter Solution

AMP DISPLAY INC.

### SPECIFICATIONS

<b>CUSTOMER</b>	
<b>CUSTOMER PART NO.</b>	
<b>AMP PART NO.</b>	AM-800480RSTMQW-TE2H
<b>APPROVED BY</b>	
<b>DATE</b>	

**Approved For Specifications**

**Approved For Specifications & Sample**

### AMP DISPLAY INC

9856 SIXTH STREET RANCHO CUCAMONGA CA 91730

TEL: 909-980-1310 FAX: 909-980-1419

WWW.AMPDISPLAY.COM

APPROVED BY	CHECKED BY	ORGANIZED BY

---

## RECORD OF REVISION

Revision Date	Page	Contents	Editor
2015/12/07	--	New Release	Alan

## 1. Features

7 inch module is a color active matrix thin film transistor (TFT) liquid crystal display (LCD) that uses amorphous silicon TFT as a switching device. This model is composed of a TFT LCD panel, a driving circuit , a back light system and capacitive touch panel . This TFT LCD has a 7.0 (16:9) inch diagonally measured active display area with WVGA (800 horizontal by 480 vertical pixel) resolution.

- (1) Construction: 7" a-Si TFT active matrix, White LED Backlight.
- (2) Resolution (pixel): 800(R.G.B) X 480.
- (3) Number of the Colors : 262K colors ( R , G , B 6 bit digital each).
- (4) LCD type : Transmissive , normally White.
- (5) Viewing Direction 6 O'clock.
- (6) LVDS Interface.
- (7) Touch Panel with USB controller(EXC3132).

## 2. PHYSICAL SPECIFICATIONS

Item	Specifications	unit
LCD size	7 inch (Diagonal)	
Outline Dimension (Include connecter)	165.0 x 104.44 x 7.71 (typ.)	mm
Number of Pixel	800 RGB (H) x 480 (V)	pixels
Pixel pitch	0.1905 (H) x 0.1905 (V)	mm
Pixel arrangement	RGB Vertical stripe	
Display mode	Normally white	
Back-light	Single LED (Side-Light type)	
Brightness	400 nit	cd/m <sup>2</sup>
Contrast ratio	400 : 1	
Power consumption (B/L system)	4 (max.)	W

### 3. ABSOLUTE MAX. RATINGS

#### 3-1 Electrical Absolute Rating

##### 3-1-1 TFT LCD Module

Item	Symbol	Values		UNIT	Note
		Min.	Max.		
Power voltage	VCC	-0.5	4.0	V	GND=0V
Voltage range at any terminal		-0.5	VCC+0.3	V	

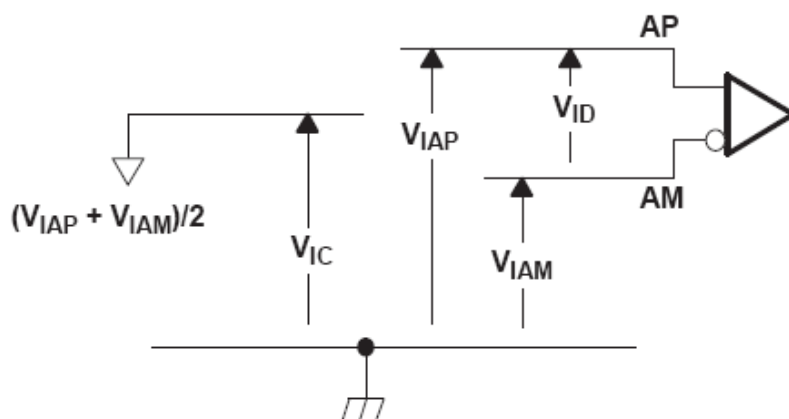
#### 3-2 Environment Absolute Rating

Item	Symbol	Min.	Max.	Unit	Note
Operating Temperature	Topa	-20	70	°C	
Storage Temperature	Tstg	-30	80	°C	

## 4. ELECTRICAL CHARACTERISTICS

### 4-1 TFT LCD Module voltage

		MIN	NOM	MAX	UNIT
$V_{CC}$	Supply voltage	3	3.3	3.6	V
$V_{IH}$	High-level input voltage ( $\overline{SHTDN}$ )	2			V
$V_{IL}$	Low-level input voltage ( $\overline{SHTDN}$ )			0.8	V
$ V_{ID} $	Magnitude differential input voltage	0.1		0.6	V
$V_{IC}$	Common-mode input voltage	$\frac{ V_{ID} }{2}$		$2.4 - \frac{ V_{ID} }{2}$	V



ITEM	SYMBOL	MIN	TYP	MAX	UNIT	CONDITION
Power Supply Voltage For LCD	$V_{CC}$	3.0	3.3	3.6	V	
Power Supply Current For LCD	$I_{CC}$	-	180	230	mA	Black pattern
Power Supply Voltage For LED Driver	$V_{LED}$	-	5.0	5.5	V	
ADJ signal frequency	$f_{PWM}$	100	50K	200K	Hz	
ADJ signal logic level High	$V_{IH}$	-	3.3	5.0	V	
ADJ signal logic level Low	$V_{IL}$	-	-	0.5	V	
ADJ Input Voltage	$V_{ADJ}$	-	3.3	-	V	duty=100%

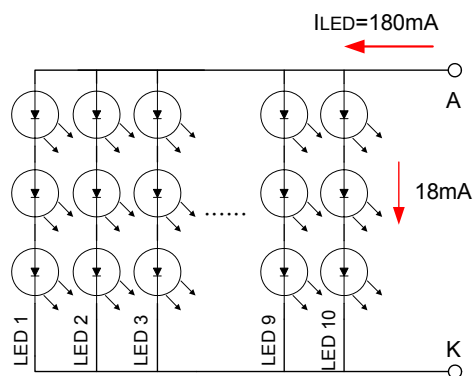
## 4-2 Backlight Unit

ITEM	SYMBOL	MIN	TYP	MAX	UNIT	CONDITION
LED Backlight Voltage	$V_{BL}$	8.4	9.0	10.8	V	For reference
LED Backlight Current	$I_{BL}$	-	180	-	mA	$T_a=25^{\circ}\text{C}$
LED Life Time	-	--	40K	--	Hour	Note (2)

Note (1) The constant current source is needed for white LED back-light driving.

When LCM is operated over 60 deg.C ambient temperature, the  $I_{LED}$  of the LED back-light should be adjusted to 135mA max

Note (2) Brightness to be decreased to 50% of the initial value( $T_a=25^{\circ}\text{C}$ ).



### LED Light Bar Circuit

Note(3) VLEDADJ is PWM signal input. It is for brightness control.

ITEM	SYMBOL	MIN	TYP	MAX	UNIT
ADJ signal frequency	$f_{PWM}$	100	50K	200K	Hz
ADJ signal logic level High	$V_{IH}$	2V	--	VLED (5.0V)	V
ADJ signal logic level Low	$V_{IL}$	0	--	0.5	V

## 4-3 Projective Capacitive Touch Panel

### 4-3-1 Basic Characteristic

ITEM	SPECIFICATION
Type	Projective Capacitive Touch Panel
Activation	2-fingers or Signal-finger
X/Y Position Reporting	Absolute Position
Touch Force	No contact pressure required
Calibration	No need for calibration
Report Rate	Approx 60 points/sec
Control IC	EETI EXC3132
Interface	USB
Resolution	4096*4096

### 4-3-2 Electrical Absolute Max Rating

Item	Symbol	Values		UNIT	Note
		Min.	Max.		
Power Supply voltage	VIN	-0.3	5.5	V	DGND =0V

### 4-3-3 ELECTRICAL CHARACTERISTICS

Specify the normal operating condition

(DGND=0V)

Item	Symbol	Min.	Typ.	Max.	Unit	Note
Power Supply Voltage	VIN	--	5.0	--	V	
Power Consumption	I VIN		50		mA	

### 4-3-4 Interface

Pin	Name	Description
1	DGND	Power GND
2	DA-	USB Data-
3	DA+	USB Data+
4	VIN	Power supply 5.0V
5	NA	No connection
6	NA	No connection

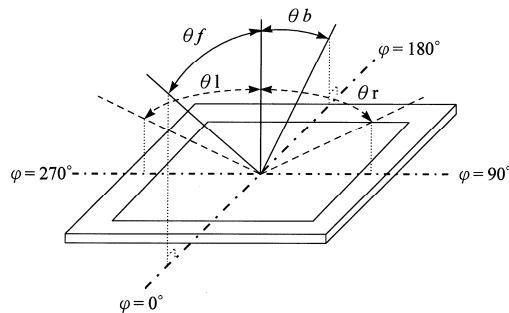
## 5. Optical Specifications

### 5-1 Optical specification

Item		Symbol	Condition	Min.	Typ.	Max.	Unit	Note
Viewing Angle	Front	$\theta f$	$CR \geq 10$	55	60	--	deg.	(1)(2)(3)
	Back	$\theta b$		55	70	--		
	Left	$\theta l$		65	70	--		
	Right	$\theta r$		65	70	--		
Contrast ratio		CR	$\Theta = \Phi = 0^\circ$	250	400	--	--	(1)(3)
Response Time		$T_r$	$\Theta = \Phi = 0^\circ$	--	5	10	ms	(1)(4)
		$T_f$		--	11	16	ms	(1)(4)
Color chromaticity	White	$W_x$	$\Theta = \Phi = 0^\circ$	0.249	0.299	0.349	--	(1)
		$W_y$		0.278	0.328	0.378		
Luminance		L	$\Theta = \Phi = 0^\circ$	320	400	--	cd/m <sup>2</sup>	(1)(5)
Luminance Uniformity		$\Delta L$	$\Theta = \Phi = 0^\circ$	70	--	--	%	(1)(5)(6)

Note 1:  $T_a = 25^\circ\text{C}$ . To be measured on the center area of panel after 10 minutes operation.

Note 2: Definition of Viewing Angle



Note 3: Definition of contrast ratio:

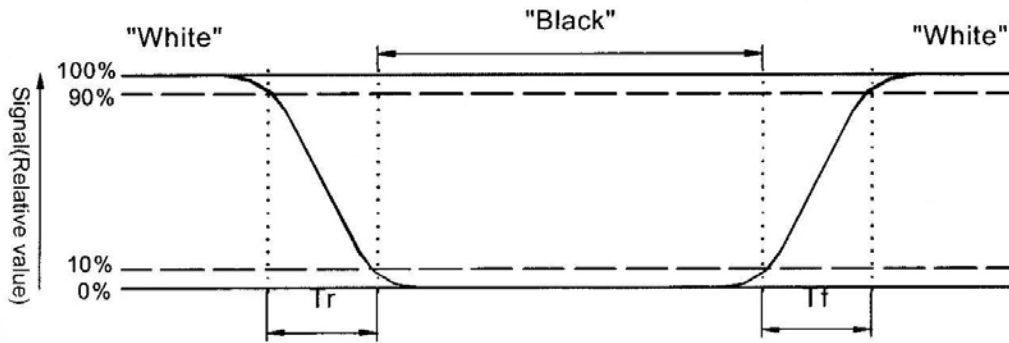
Contrast ratio is calculated with the following formula.

$$\text{Contrast ratio(CR)} = \frac{\text{Photo detector output when LCD is at "White" state}}{\text{Photo detector Output when LCD is at "Black" state}}$$

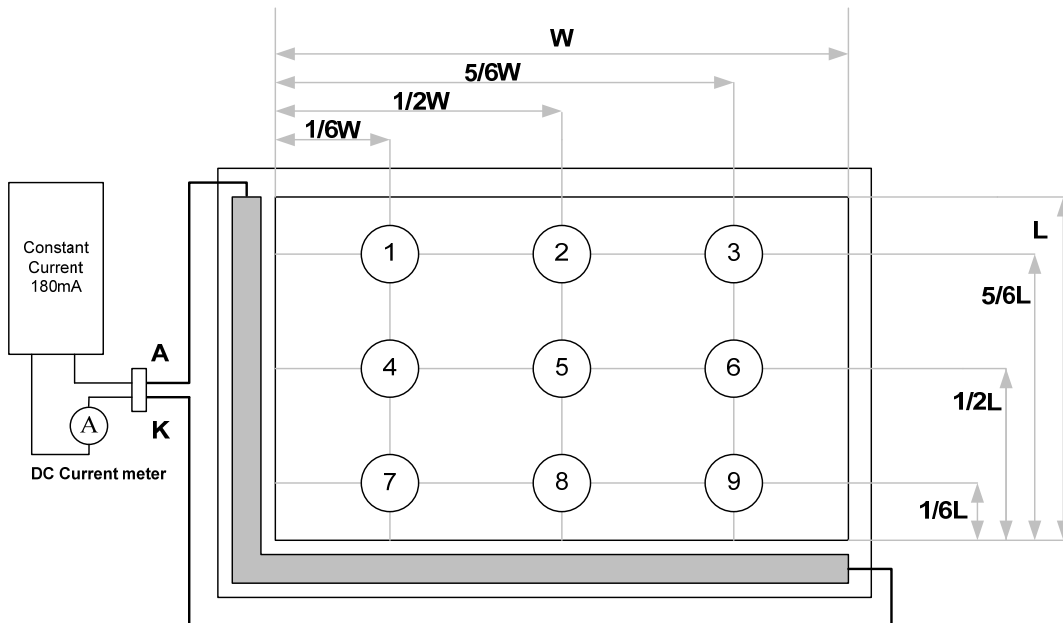


Note 4: Definition of response time:

The output signals of photo detector are measured when the input signals are changed from "black" to "white" (falling time) and from "white" to "black" (rising time) respectively. The response time is defined as the time interval between the 10% and 90% of amplitudes. Refer to figure as below.



Note 5 : Luminance is measured at point 5 of the display.



Note 6 : Definition of Luminance Uniformity

$$\Delta L = [ L(\text{min.}) \text{ of } 9 \text{ points} / L(\text{max.}) \text{ of } 9 \text{ points}] \times 100\%$$

## 6. INTERFACE

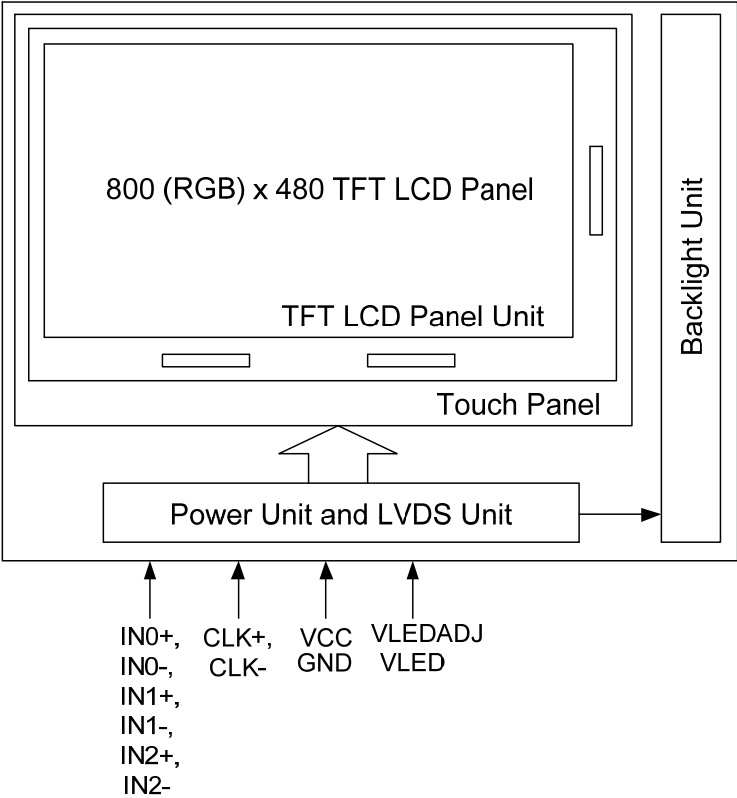
### 6-1 Touch Panel Interface

Pin No.	Symbol	Function
1	GND	USB POWER GND
2	D-	USB Data -
3	D+	USB Data +
4	VIN	USB POWER 5V
5	NC	No Connection
6	NC	No Connection

### 6-2 LCD Control Interface

Pin No.	Symbol	Function
1	VDD	POWER SUPPLY:3.3V
2	VDD	POWER SUPPLY:3.3V
3	GND	Power Ground
4	GND	Power Ground
5	IN0-	Transmission Data of Pixels
6	IN0+	Transmission Data of Pixels
7	GND	Power Ground
8	IN1-	Transmission Data of Pixels 1
9	IN1+	Transmission Data of Pixels 1
10	GND	Power Ground
11	IN2-	Transmission Data of Pixels 2
12	IN2+	Transmission Data of Pixels 2
13	GND	Power Ground
14	CLK-	Sampling Clock
15	CLK+	Sampling Clock
16	GND	Power Ground
17	VLED	POWER SUPPLY for Backlight : <b>5V</b>
18	VLED	POWER SUPPLY for Backlight : <b>5V</b>
19	GND	Power Ground
20	LEDADJ	PWM SIGNAL

6-3 Block Diagram



## 7. INPUT SIGNAL :

### 7-1 LVDS Signal

switching characteristics over recommended operating conditions (unless otherwise noted)

PARAMETER	TEST CONDITIONS	MIN	TYP†	MAX	UNIT
$t_{su}$	Setup time, D0–D20 to CLKOUT↓	5			ns
$t_h$	Data hold time, CLKOUT↓ to D0–D20	5			ns
$t_{(RSKM)}$	Receiver input skew margin§ (see Figure 7)	550	700		ps
$t_d$	Delay time, CLKIN↑ to CLKOUT↓ (see Figure 7)	3	5	7	ns
$t_{en}$	Enable time, $\overline{SHTDN}$ to phase lock		1		ms
$t_{dis}$	Disable time, $\overline{SHTDN}$ to off state		400		ns
$t_t$	Transition time, output (10% to 90% $t_r$ or $t_f$ ) (data only)		3		ns
$t_t$	Transition time, output (10% to 90% $t_r$ or $t_f$ ) (clock only)		1.5		ns
$t_w$	Pulse duration, output clock		$0.50 t_c$		ns

† All typical values are at  $V_{CC} = 3.3\text{ V}$ ,  $T_A = 25^\circ\text{C}$ .

§ The parameter  $t_{(RSKM)}$  is the timing margin available to allocate to the transmitter and interconnection skews and clock jitter. The value of this parameter at clock periods other than 15.38 ns can be calculated from  $t_{(RSKM)} = tc/14 - 550\text{ ps}$ .

¶  $|\text{Input clock jitter}|$  is the magnitude of the change in input clock period.

#### PARAMETER MEASUREMENT INFORMATION

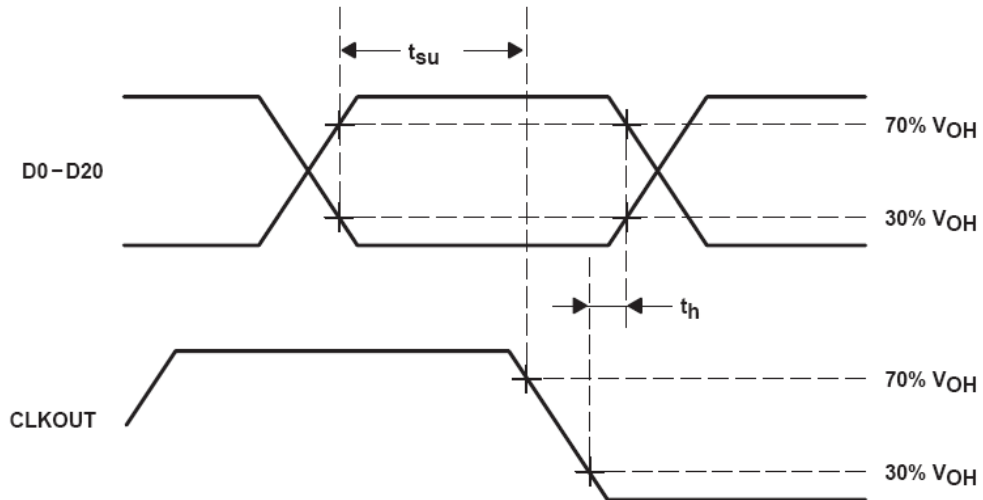


Figure 5. Setup and Hold Time Waveforms

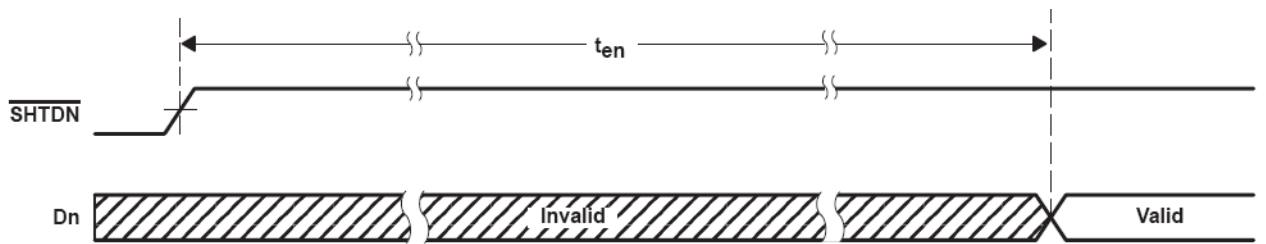
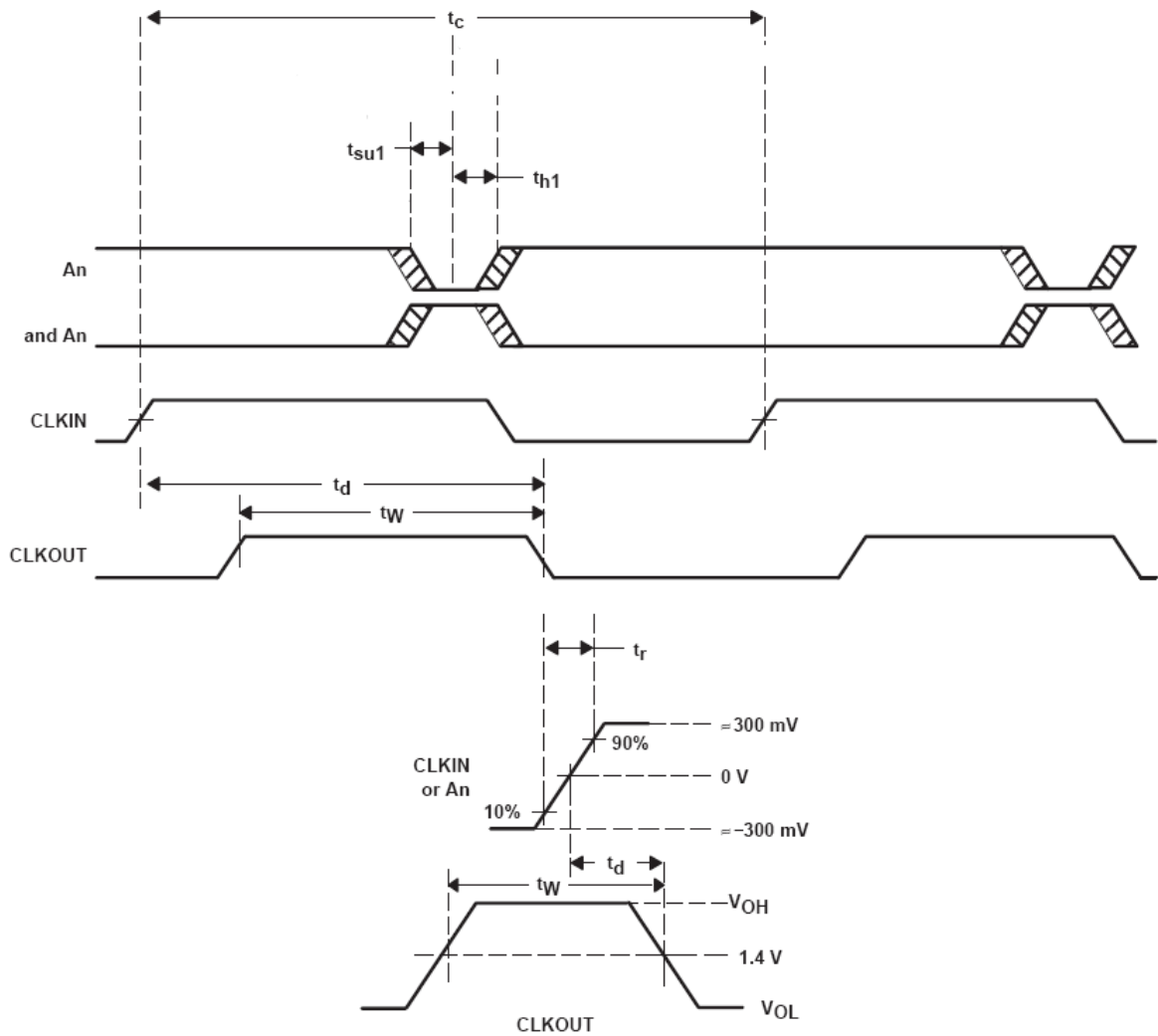


Figure 7. Enable Time Waveforms

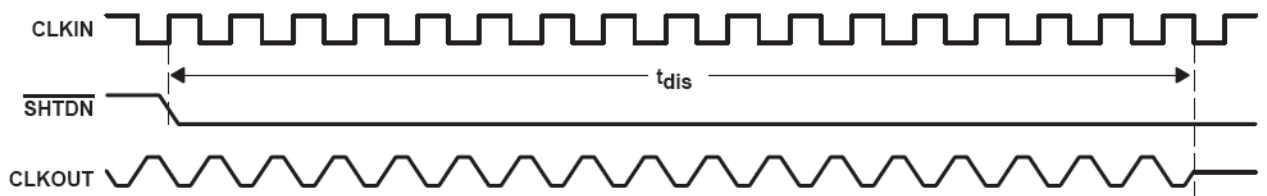
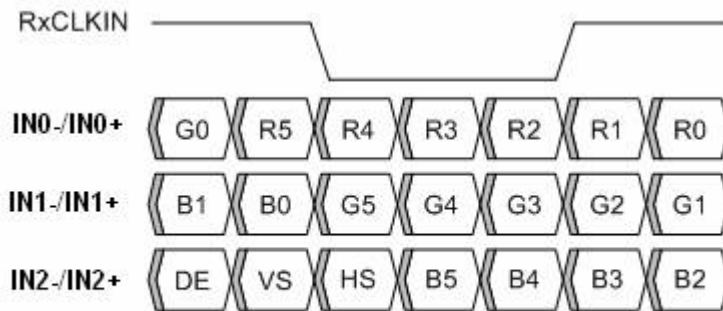


Figure 8. Disable Time Waveforms

## LVDS Input Data Format



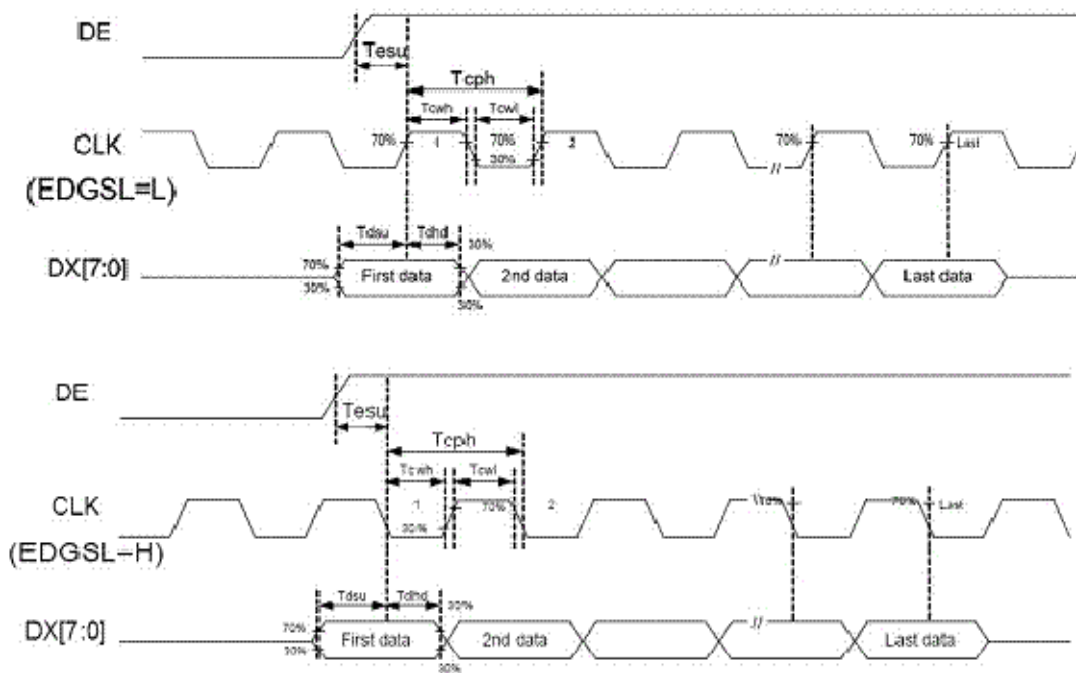
Note : R/G/B data 5 : MSB, R/G/B data 0 : LSB

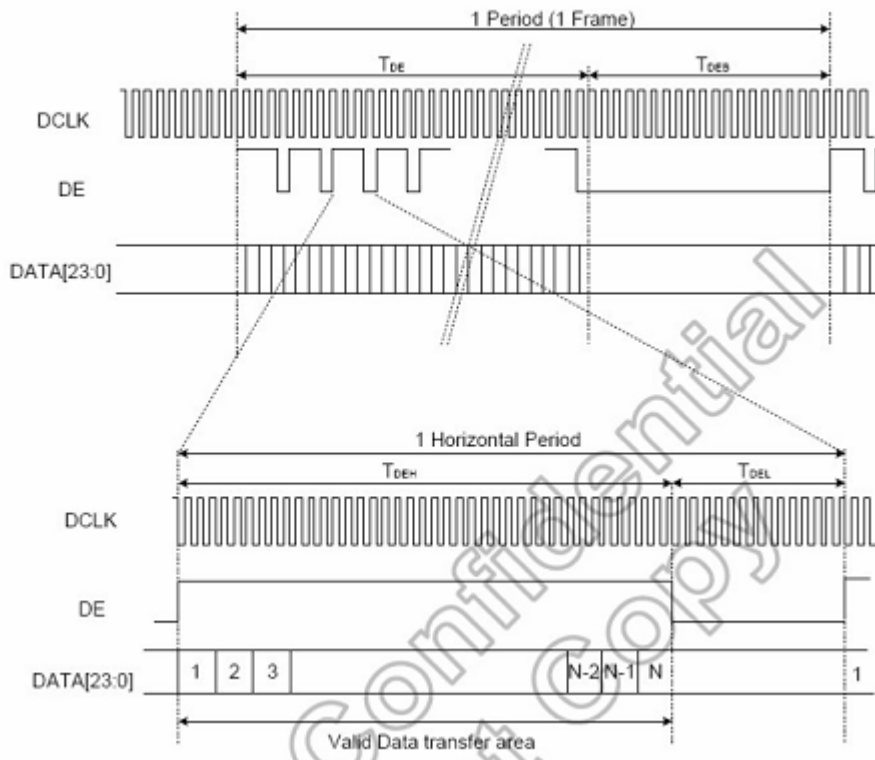
Signal Name	Description	Remark
R5 R4 R3 R2 R1 R0	Red Data 5 (MSB) Red Data 4 Red Data 3 Red Data 2 Red Data 1 Red Data 0 (LSB)	Red-pixel Data Each red pixel's brightness data consists of these 6 bits pixel data.
G5 G4 G3 G2 G1 G0	Green Date 5 (MSB) Green Date 4 Green Date 3 Green Date 2 Green Date 1 Green Date 0 (LSB)	Green-pixel Data Each green pixel's brightness data consists of these 6 bits pixel data.
B5 B4 B3 B2 B1 B0	Blue Data 5 (MSB) Blue Data 4 Blue Data 3 Blue Data 2 Blue Data 1 Blue Data 0 (LSB)	Blue-pixel Data Each blue pixel's brightness data consists of these 6 bits pixel data.
RxCLKIN+ RxCLKIN-	LVDS Clock Input	
DE	Display Enable	
VS	Vertical Sync	
HS	Horizontal Sync	

## 7.2 Timing characteristic of Panel

Parameter	Symbol				Unit
		Min.	Typ.	Max.	
Data setup time	$T_{dsu}$	6	-	-	ns
Data hold time	$T_{dhd}$	6	-	-	T <sub>cph</sub>
DE setup time	$T_{esu}$	6	-	-	T <sub>cph</sub>
CLK frequency	$F_{CPH}$		33.26		MHz
CLK period	$T_{CPH}$		30.06		ns
CLK pulse duty	$T_{CWH}$	40	50	60	%
DE period	$T_{DEH}+T_{DEL}$	1000	1056	1200	T <sub>CPH</sub>
DE pulse width	$T_{DEH}$	-	800	-	T <sub>CPH</sub>
DE frame blanking	$T_{DEB}$	10	45	110	$T_{DEH}+T_{DEL}$
DE frame width	$T_{DE}$	-	480	-	$T_{DEH}+T_{DEL}$

Note : We suggest using the typical value, so it can have better performance.







## 8. DISPLAYED COLOR AND INPUT DATA

	Color & Gray Scale	DATA SIGNAL																	
		R5	R4	R3	R2	R1	R0	G5	G4	G3	G2	G1	G0	B5	B4	B3	B2	B1	B0
Basic Color	Black	0	0	0	0	0	0	0	0	0	0	0	0	0	0	0	0	0	0
	Red(63)	1	1	1	1	1	1	0	0	0	0	0	0	0	0	0	0	0	0
	Green(63)	0	0	0	0	0	0	1	1	1	1	1	1	0	0	0	0	0	0
	Blue(63)	0	0	0	0	0	0	0	0	0	0	0	0	1	1	1	1	1	1
	Cyan	0	0	0	0	0	0	1	1	1	1	1	1	1	1	1	1	1	1
	Magenta	1	1	1	1	1	1	0	0	0	0	0	0	1	1	1	1	1	1
	Yellow	1	1	1	1	1	1	1	1	1	1	1	1	0	0	0	0	0	0
	White	1	1	1	1	1	1	1	1	1	1	1	1	1	1	1	1	1	1
Red	Black	0	0	0	0	0	0	0	0	0	0	0	0	0	0	0	0	0	0
	Red(1)	0	0	0	0	0	1	0	0	0	0	0	0	0	0	0	0	0	0
	Red(2)	0	0	0	0	1	0	0	0	0	0	0	0	0	0	0	0	0	0
	:	:	:	:	:	:	:	:	:	:	:	:	:	:	:	:	:	:	:
	Red(31)	0	1	1	1	1	1	0	0	0	0	0	0	0	0	0	0	0	0
	:	:	:	:	:	:	:	:	:	:	:	:	:	:	:	:	:	:	:
	Red(62)	1	1	1	1	1	0	0	0	0	0	0	0	0	0	0	0	0	0
	Red(63)	1	1	1	1	1	1	0	0	0	0	0	0	0	0	0	0	0	0
Green	Black	0	0	0	0	0	0	0	0	0	0	0	0	0	0	0	0	0	0
	Green(1)	0	0	0	0	0	0	0	0	0	0	1	0	0	0	0	0	0	0
	Green(2)	0	0	0	0	0	0	0	0	0	1	0	0	0	0	0	0	0	0
	:	:	:	:	:	:	:	:	:	:	:	:	:	:	:	:	:	:	:
	Green(31)	0	0	0	0	0	0	0	1	1	1	1	0	0	0	0	0	0	0
	:	:	:	:	:	:	:	:	:	:	:	:	:	:	:	:	:	:	:
	Green(62)	0	0	0	0	0	0	1	1	1	1	1	0	0	0	0	0	0	0
	Green(63)	0	0	0	0	0	0	1	1	1	1	1	1	0	0	0	0	0	0
Blue	Black	0	0	0	0	0	0	0	0	0	0	0	0	0	0	0	0	0	0
	Blue(1)	0	0	0	0	0	0	0	0	0	0	0	0	0	0	0	0	0	1
	Blue(2)	0	0	0	0	0	0	0	0	0	0	0	0	0	0	0	0	1	0
	:	:	:	:	:	:	:	:	:	:	:	:	:	:	:	:	:	:	:
	Blue(31)	0	0	0	0	0	0	0	0	0	0	0	0	0	1	1	1	1	1
	:	:	:	:	:	:	:	:	:	:	:	:	:	:	:	:	:	:	:
	Blue(62)	0	0	0	0	0	0	0	0	0	0	0	0	1	1	1	1	1	0
	Blue(63)	0	0	0	0	0	0	0	0	0	0	0	0	1	1	1	1	1	1

## 9. Reliability Test Items

Test Item	Test Conditions	Note
High Temperature Operation	70±3°C , t=240 hrs	
Low Temperature Operation	-20±3°C , t=240 hrs	
High Temperature Storage	80±3°C , t=240 hrs	1,2
Low Temperature Storage	-30±3°C , t=240 hrs	1,2
Storage at High Temperature and Humidity	60°C, 90% RH , 240 hrs	1,2
Thermal Shock Test	-20°C (30min) ~ 70°C (30min) 100 cycles	1,2
Vibration Test (Packing)	Sweep frequency : 10 ~ 55 ~ 10 Hz/1min Amplitude : 0.75mm Test direction : X.Y.Z/3 axis Duration : 30min/each axis	2

Note 1 : Condensation of water is not permitted on the module.

Note 2 : The module should be inspected after 1 hour storage in normal conditions (15-35°C , 45-65%RH).

## **10. USE PRECAUTIONS**

### **10.1 Handling precautions**

- 1) The polarizing plate may break easily so be careful when handling it. Do not touch, press or rub it with a hard-material tool like tweezers.
- 2) Do not touch the polarizing plate surface with bare hands so as not to make it dirty. If the surface or other related part of the polarizing plate is dirty, soak a soft cotton cloth or chamois leather in benzine and wipe off with it. Do not use chemical liquids such as acetone, toluene and isopropyl alcohol. Failure to do so may bring chemical reaction phenomena and deteriorations.
- 3) Remove any spit or water immediately. If it is left for hours, the suffered part may deform or decolorize.
- 4) If the LCD element breaks and any LC stuff leaks, do not suck or lick it. Also if LC stuff is stuck on your skin or clothing, wash thoroughly with soap and water immediately.

### **10.2 Installing precautions**

- 1) The PCB has many ICs that may be damaged easily by static electricity. To prevent breaking by static electricity from the human body and clothing, earth the human body properly using the high resistance and discharge static electricity during the operation. In this case, however, the resistance value should be approx. 1M $\Omega$  and the resistance should be placed near the human body rather than the ground surface. When the indoor space is dry, static electricity may occur easily so be careful. We recommend the indoor space should be kept with humidity of 60% or more. When a soldering iron or other similar tool is used for assembly, be sure to earth it.
- 2) When installing the module and ICs, do not bend or twist them. Failure to do so may crack LC element and cause circuit failure.
- 3) To protect LC element, especially polarizing plate, use a transparent protective plate (e.g., acrylic plate, glass etc) for the product case.
- 4) Do not use an adhesive like a both-side adhesive tape to make LCD surface (polarizing plate) and product case stick together. Failure to do so may cause the polarizing plate to peel off.

### 10.3 Storage precautions

- 1) Avoid a high temperature and humidity area. Keep the temperature between 0°C and 35°C and also the humidity under 60%.
- 2) Choose the dark spaces where the product is not exposed to direct sunlight or fluorescent light.
- 3) Store the products as they are put in the boxes provided from us or in the same conditions as we recommend.

### 10.4 Operating precautions

- 1) Do not boost the applied drive voltage abnormally. Failure to do so may break ICs. When applying power voltage, check the electrical features beforehand and be careful. Always turn off the power to the LC module controller before removing or inserting the LC module input connector. If the input connector is removed or inserted while the power is turned on, the LC module internal circuit may break.
- 2) The display response may be late if the operating temperature is under the normal standard, and the display may be out of order if it is above the normal standard. But this is not a failure; this will be restored if it is within the normal standard.
- 3) The LCD contrast varies depending on the visual angle, ambient temperature, power voltage etc. Obtain the optimum contrast by adjusting the LC drive voltage.
- 4) When carrying out the test, do not take the module out of the low-temperature space suddenly. Failure to do so will cause the module condensing, leading to malfunctions.
- 5) Make certain that each signal noise level is within the standard (L level: 0.2V<sub>dd</sub> or less and H level: 0.8V<sub>dd</sub> or more) even if the module has functioned properly. If it is beyond the standard, the module may often malfunction. In addition, always connect the module when making noise level measurements.
- 6) The CMOS ICs are incorporated in the module and the pull-up and pull-down function is not adopted for the input so avoid putting the input signal open while the power is ON.
- 7) The characteristic of the semiconductor element changes when it is exposed to light emissions, therefore ICs on the LCD may malfunction if they receive light emissions. To prevent these malfunctions, design and assemble ICs so that they are shielded from light emissions.

8) Crosstalk occurs because of characteristics of the LCD. In general, crosstalk occurs when the regularized display is maintained. Also, crosstalk is affected by the LC drive voltage. Design the contents of the display, considering crosstalk.

### **10.5 Other**

- 1) Do not disassemble or take the LC module into pieces. The LC modules once disassembled or taken into pieces are not the guarantee articles.
- 2) Do not keep the LCD at the same display pattern continually. The residual image will happen and it will damage the LCD. Please use screen saver.
- 3) AMIPRE will provide one year warrantee for all products and three months warrantee for all repairing products.



